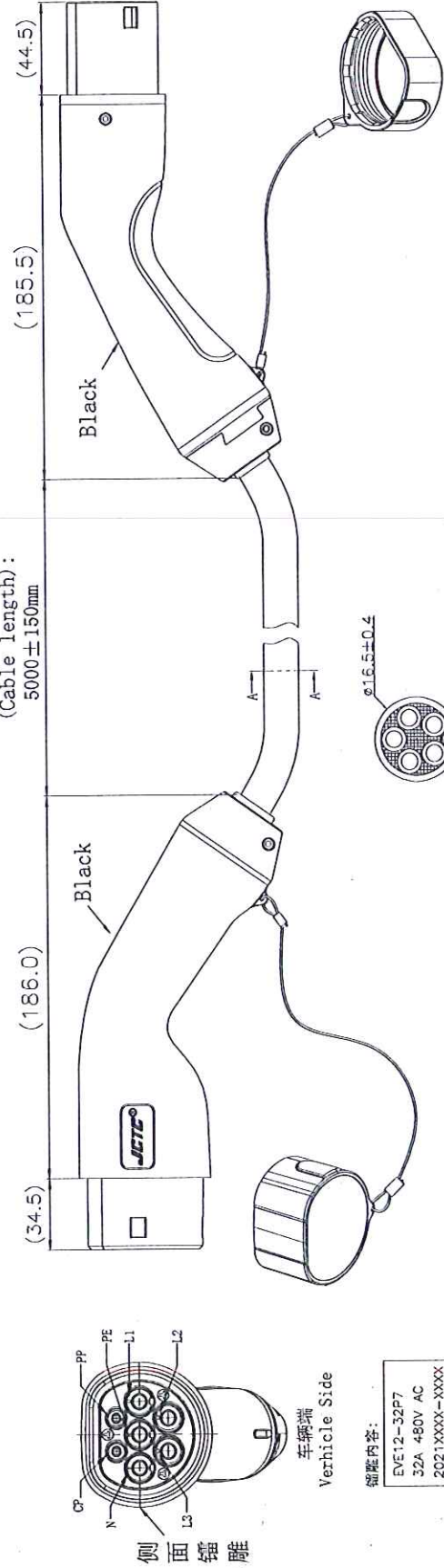


充电插头: 根据 IEC62196-1 2014, IEC62196-2 2016 标准
Charging plug: according to IEC62196-1 2014, IEC62196-2 standard

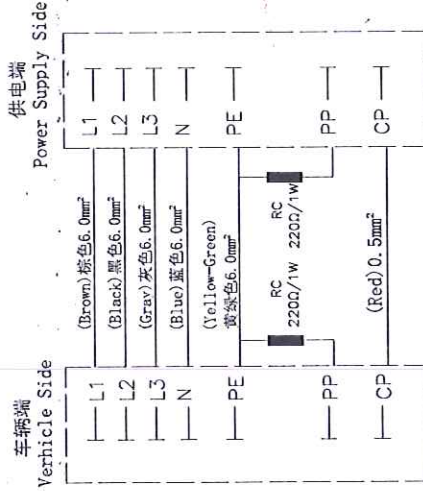
(Cable length):
5000±150mm



端子内容:
EVE12-32P7
32A 480V AC
2021XXXX-XXXX

端子内容:
EVE13-32P7
32A 480V AC
2021XXXX-XXXX

接线方式 (Method of connecting wire)

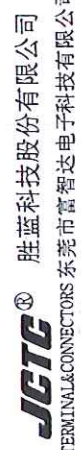


主要参数 (MAIN PARAMETERS)

- 额定电流: 32A (Rated current: 16A)
- 额定电压: 480V AC (Rated voltage: 480V AC)
- 绝缘电阻: >1000MΩ (DC500V) (insulation resistance: >1000MΩ DC500V)
- 接触阻抗: 0.5mΩ Max (Contact impedance: 0.5mΩ Max)
- 耐压: 2000V (withstand voltage: 2000V)
- 胶壳防火等级: UL94-V0 (Fireproof grade of rubber shell: UL94-V0)
- 机械寿命: 空载插拔 >10000 (Mechanical life: unloaded plugged: >10000)
- 防水等级: IP55 (插合后) (Waterproof grade: IP55 (mating))
- 胶壳: 热塑性塑胶 (Plastic shell: thermoplastic plastic)
- 导体: 铜合金, 表面镀银 (Conductor: copper alloy, silver plated surface)
- 工作环境温度: -30°C ~ +50°C (Working environment temperature lated: -30°C ~ +50°C)
- 端子升温: <50K (Terminal temperature rise ture: -30°C ~ +50°C)
- 耦合插拔力: <100N (Insertion and Extraction Force: <100N)



REV.	REVISION RECORD	DATE	GENERAL TOLERANCES	SCALE:	NAME	DATE	PART. NO.:
AO	新版发行	20210419	LINEAR	1:1	Jiannu Wang	2021.04.19	EVE14-32P7-50001
			0.0±0.25	APPROVED	Ximei Yang	2021.04.18	DWG. NO.:
			0.00±0.15	DESIGNER	Zhongshuo Che	2021.04.18	ENDE05
			X° ±3°	DRAWN			REV: AO SHEET: 1/1
			X° X' ±2°				
TITLE: 欧标双头交流充电枪32A (三相)							



TERMINAL&CONNECTORS 东莞市富智达电子科技有限公司

欧标双头交流充电枪32A (三相)